

PROSTORE 900

Code	Model	Ref.	Page	Rel.	Notes
190201	PS06R1FR	i	2,5,6	01	1-DOOR REFRIG.720LT 0/+10°, DIG. REMOTE R134a
190505	PS06R2FR	o	3,5,6	01	1-DOOR REFRIG.720LT,0/+10°, PROSTORE,REM
190506	PS06R2FLR	p	3,5,6	01	1-DOOR REFRIG.720LT,0/+10°, PROSTORE,REM
190589	ZPS06R1FR	l	2,5,6	00	1-DOOR REFRIG. 720LT,0/+10°,PROSTORE-REM
190890	PS06R1FR	m	2,5,6	00	1-DOOR REFRIG.720LT,0/+10°, PROSTORE,REM
190AOU	PS06R1FRL	q	2,5,6	00	1-DR REFR.720LT,0/+10°,PROSTORE,REM-LEFT
190CEK	PS06R1FR	j	2,5,6	00	1-DOOR REFRIG.720LT,0/+10°, PROSTORE,REM
190CEL	PS06R1FRL	k	2,5,6	00	1-DR REFR.720LT,0/+10°,PROSTORE,REM-LEFT
190CWJ	PS06R1FR	a1	2,5,6	00	1-DOOR REFRIGERATOR 720LT,0/+10°, PROSTORE,REM
190CWV	PS06R1FRL	b1	2,5,6	00	1-DOOR REFRIGERATOR 720LT,0/+10°,PROSTORE,REM-LEFT
190D16	PS06R1FR	c1	2,5,6	00	1-DOOR REFRIGERATOR 720LT,0/+10°, PROSTO
190F20	PS06R1FHC	r	2,4,6	00	1-DOOR REFRIGERATOR 720LT,0/+10°,PROSTOR
191017	PS06R1FR	n	2,5,6	00	1-DOOR REFRIG.720LT,0/+10°, PROSTORE,REM elux
691241	PS06R1F	a	2,4,6	09	1-DOOR REFRIG.720LT,0/+10°, PROSTORE elux
691243	PS06R1FR	b	2,5,6	10	1-DOOR REFRIG.720LT,0/+10°, PROSTORE,REM elux
691244	PS06R1FRL	b	2,5,6	12	1-DOOR REFRIG.720LT,0/+10°, PROSTORE,REM-LEFT elux
691245	PS09R2FHC	c	3,4,6	09	2-DOOR REFRIG.720LT,0/+10°, PROSTORE-R290 elux
691246	PS06R1FHC	d	2,4,6	10	1-DOOR REFRIG.720LT,0/+10°, PROSTORE-R290 elux
691247	PS06R1FLHC	d	2,4,6	10	1-DOOR REFRIG.720LT,0/+10°, PROSTORE,R290-LFT elux
691338	PS06R1FM	e	2,4,7	10	1-DOOR REFRIG.720LT,0/+10°, PROSTORE,60HZ,MAR elux
691349	PS06R1FHC	r	2,4,6	00	1-DOOR REFRIGERATOR 720LT,0/+10°,PROSTORE-R290
691350	PS06R1FLHC	s	2,4,6	00	1-DOOR REFRIGERATOR 720LT,0/+10°,PROSTORE,R290-LEFT
691351	PS09R2FHC	t	3,4,6	00	2-DOOR REFRIGERATOR 720LT,0/+10°,PROSTORE-R290
691364	PS06R1FM	u	2,4,7	00	1-DOOR REFRIGERATOR 720LT,0/+10°, PROSTORE MARINE-R134a
691367	PS06R1FR	v	2,5,6	00	1-DOOR REFRIGERATOR 720LT,0/+10°, PROSTORE,REM
691368	PS06R1FRL	w	2,5,6	02	1-DOOR REFRIGERATOR 720LT,0/+10°,PROSTORE,REM-LEFT
691378	PS06R1FM	x	2,4,7	00	1DR REF.720L,0/+10°,PROSTORE,60HZ,MAR
728833	APS06R1F	f	2,4,6	09	1-DOOR REFRIG.720LT,0/+10°, PROSTORE apx
728834	APS06R1FR	g	2,5,6	10	1-DOOR REFRIG.720LT,0/+10°, PROSTORE-REM apx
728835	APS06R1FHC	h	3,4,6	10	1-DOOR REFRIG.720LT,0/+10°, PROSTORE-R290 apx
729528	APS06R1FR	y	2,5,6	00	1-DOOR REFRIGERATOR 720LT,0/+10°, PROSTORE,REM
729531	APS06R1FHC	z	3,4,5	00	1-DOOR REFRIGERATOR 720LT,0/+10°,PROSTORE-R290

Note: per la corretta identificazione dei componenti, attenersi esclusivamente alle pagine indicate e alla lettera di riferimento.

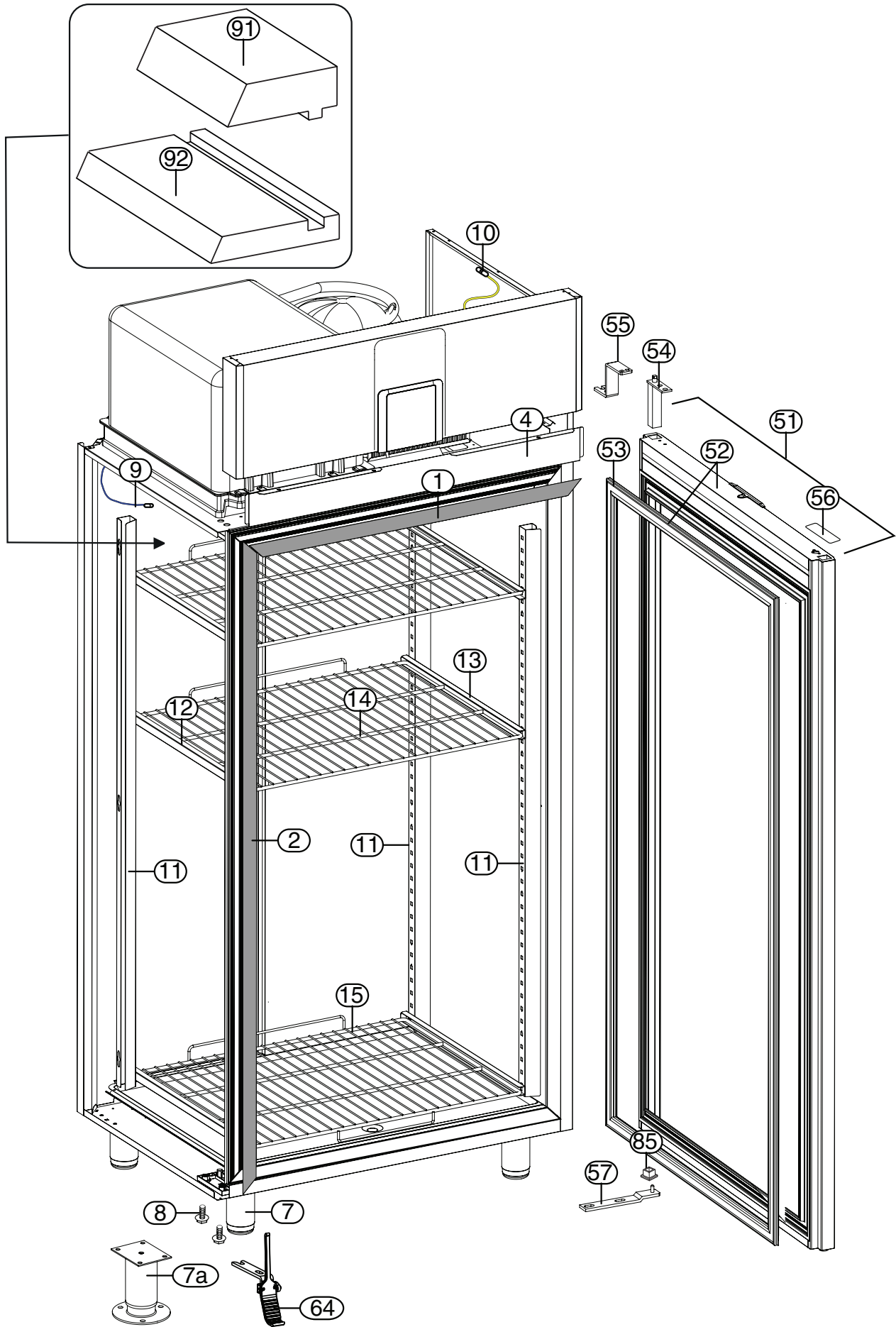
Note: for the correct identification of the components, follow the indicated pages and the reference letter.

Index and pages

Full Door/Porta intera	2	
Half Doors/Mezze porte	3	Brand: Electrolux_Alpeninox
Cooling unit / Gruppo	4	Country:
Remote cooling unit/ gruppo remoto	5	Grassetto = ultima modifica
Control panel/Pannello di controllo	6	Bold = last change
Marine control panel/Pannello di controllo Marine	7	

* Componenti a richiesta
* Components on demand

Full door



560151 armadio porta intera

Grassetto = ultima modifica
 Bold = last change

* Componenti a richiesta
 * Components on demand

From Ser. Nr.3391... / Up to Ser. Nr....

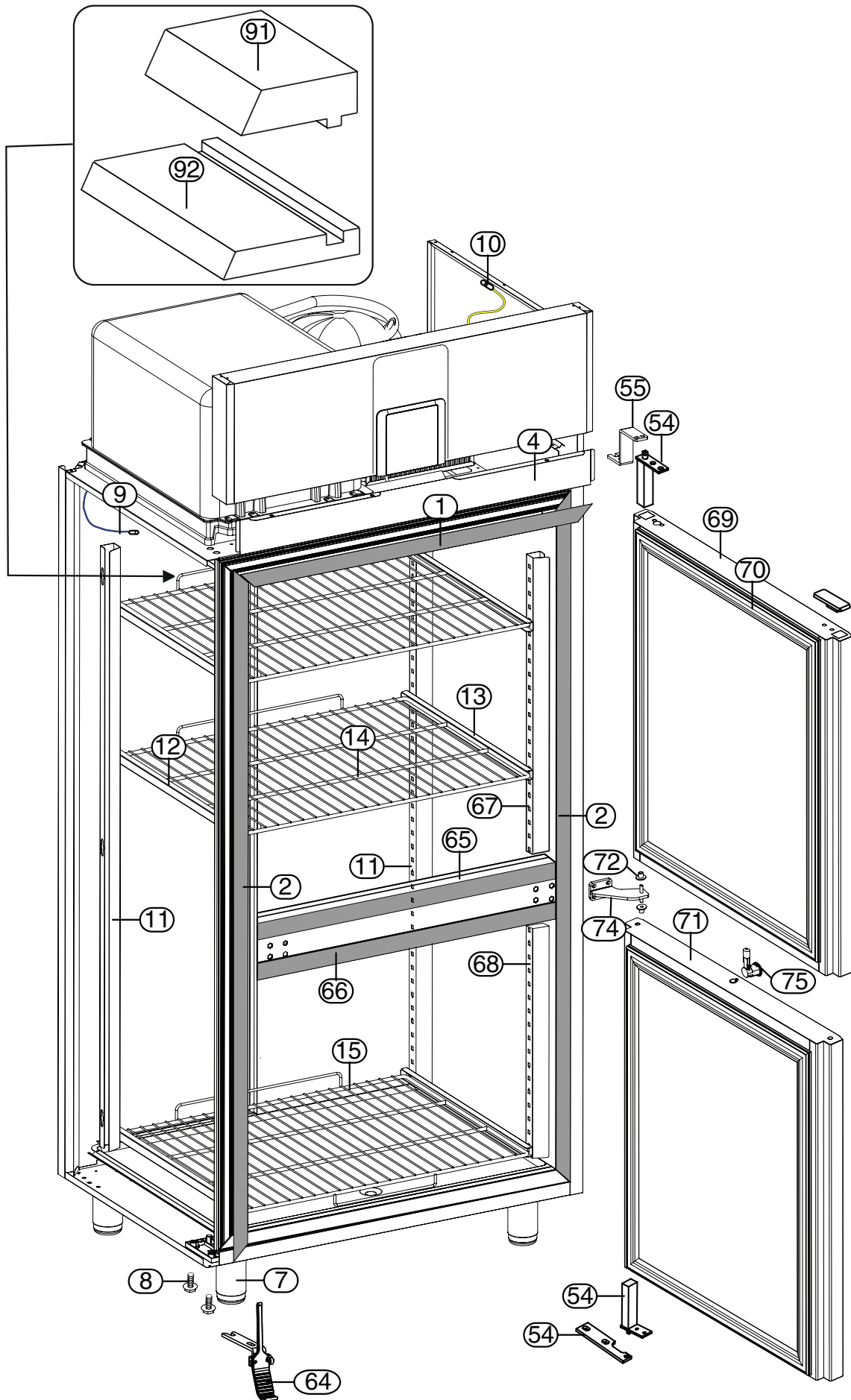
Edition: 10-2013

Page: 2

Update 05/2021

Doc. Nr.: 560151

Half doors



560151 armadio mezza porte

Grassetto = ultima modifica
 Bold = last change

* Componenti a richiesta
 * Components on demand

From Ser. Nr.3391... / Up to Ser. Nr....

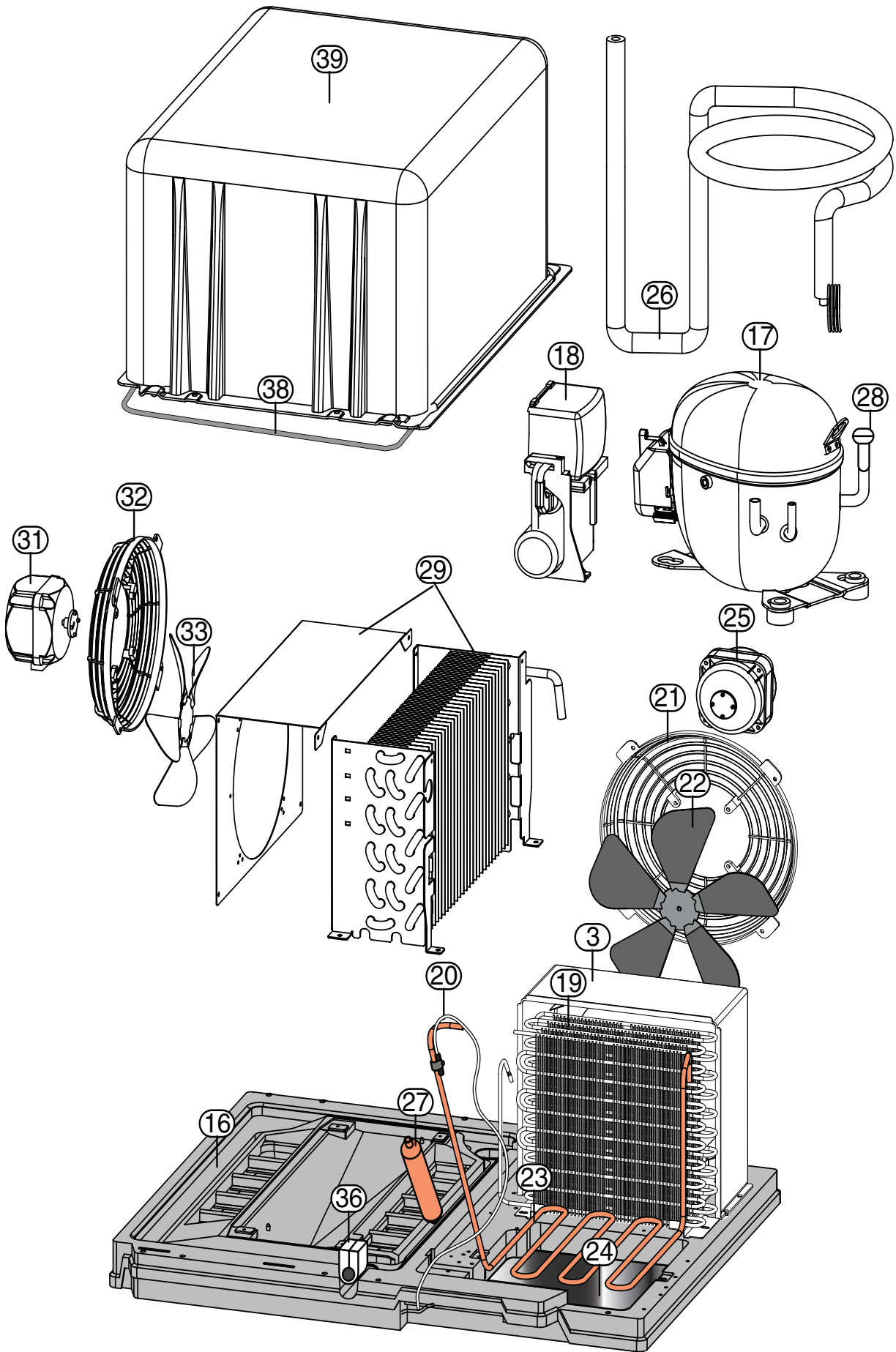
Edition: 10-2013

Page: 3

Update 05/2021

Doc. Nr.: 560151

Cooling unit

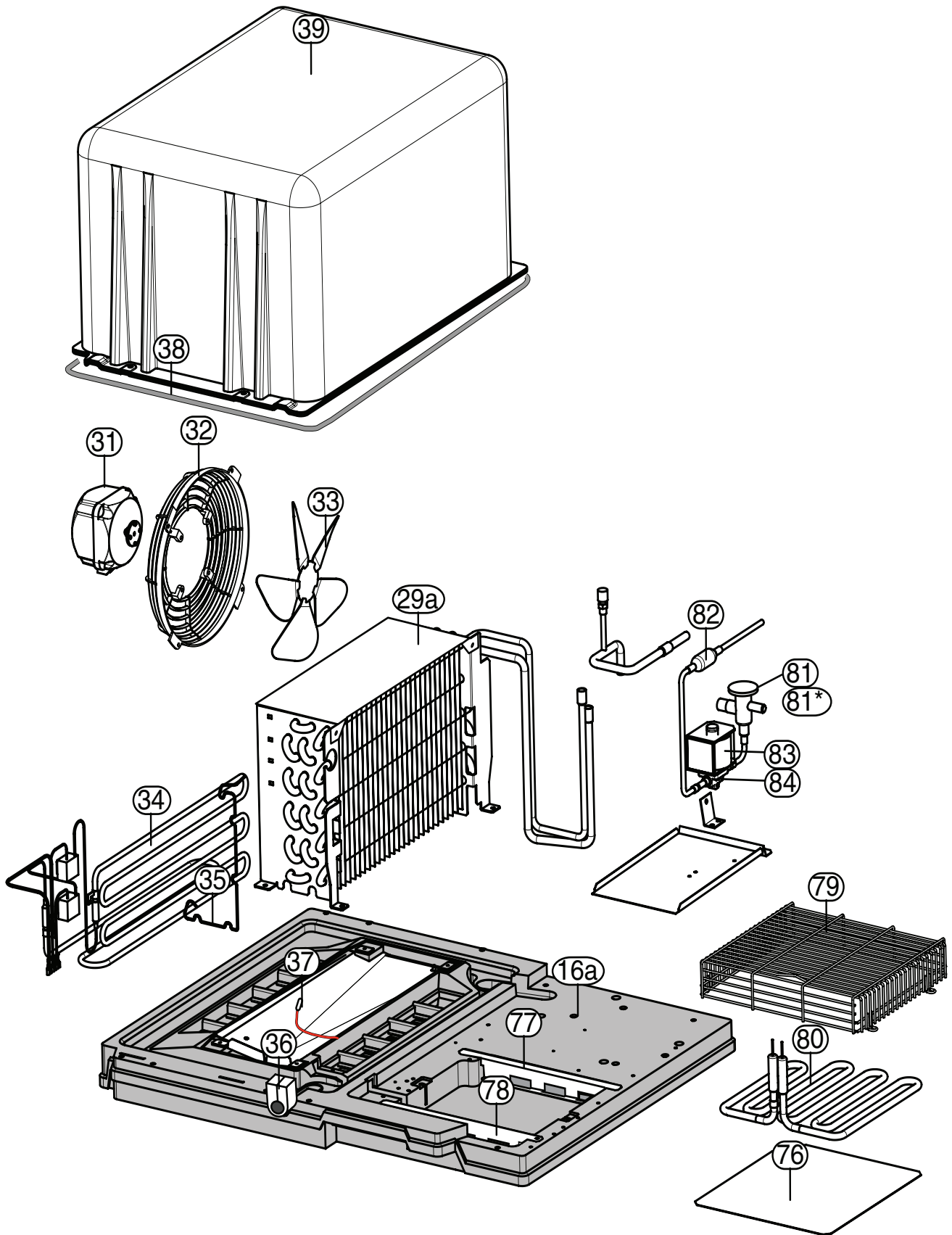


560151 Cooling unit

Grassetto = ultima modifica
 Bold = last change

* Componenti a richiesta
 * Components on demand

Remote cooling unit



560151 Cooling unit

Grassetto = ultima modifica
 Bold = last change

* Componenti a richiesta
 * Components on demand

From Ser. Nr.3391... / Up to Ser. Nr....

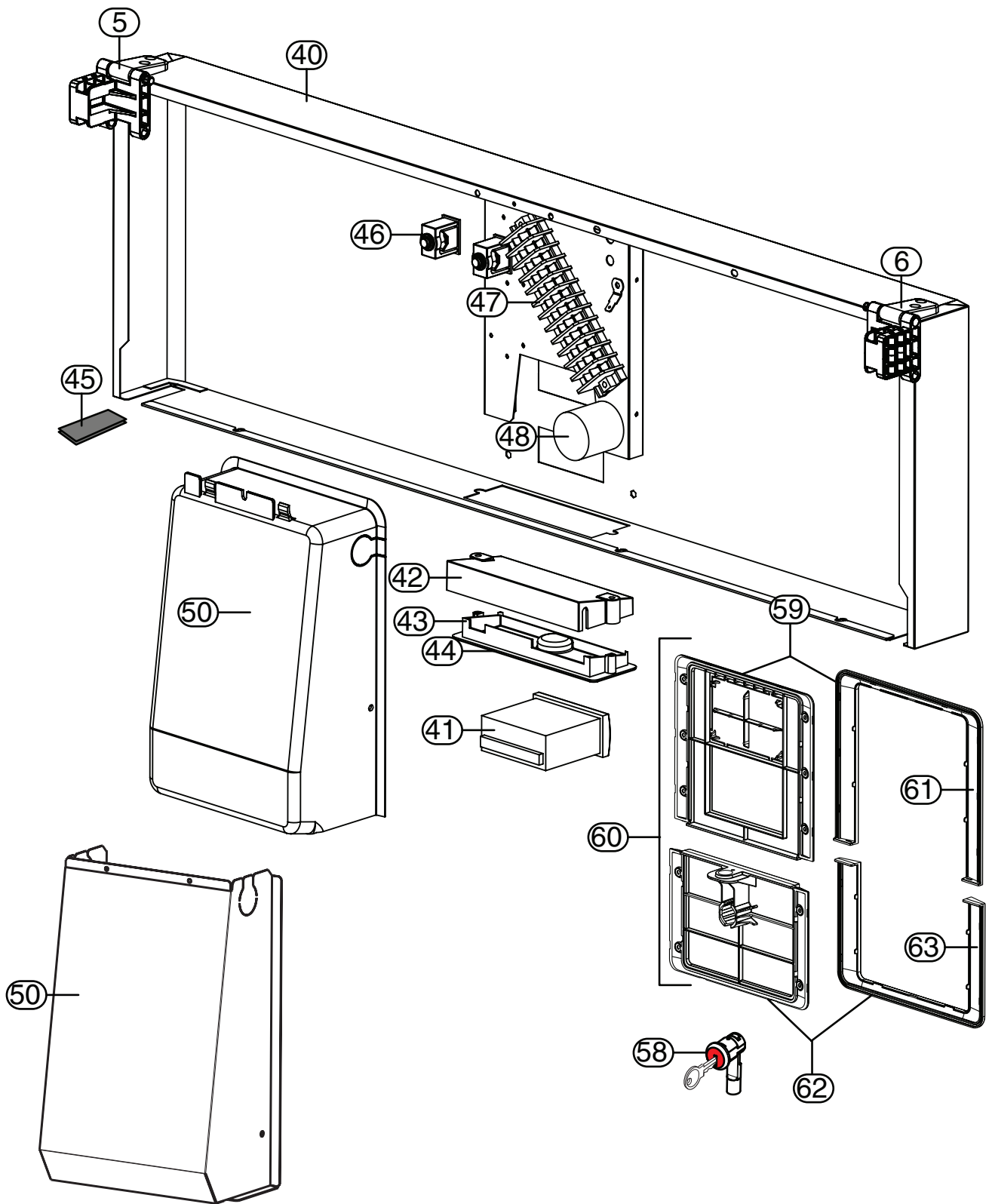
Edition: 10-2013

Page: 5

Update 05/2021

Doc. Nr.: 560151

Control panel

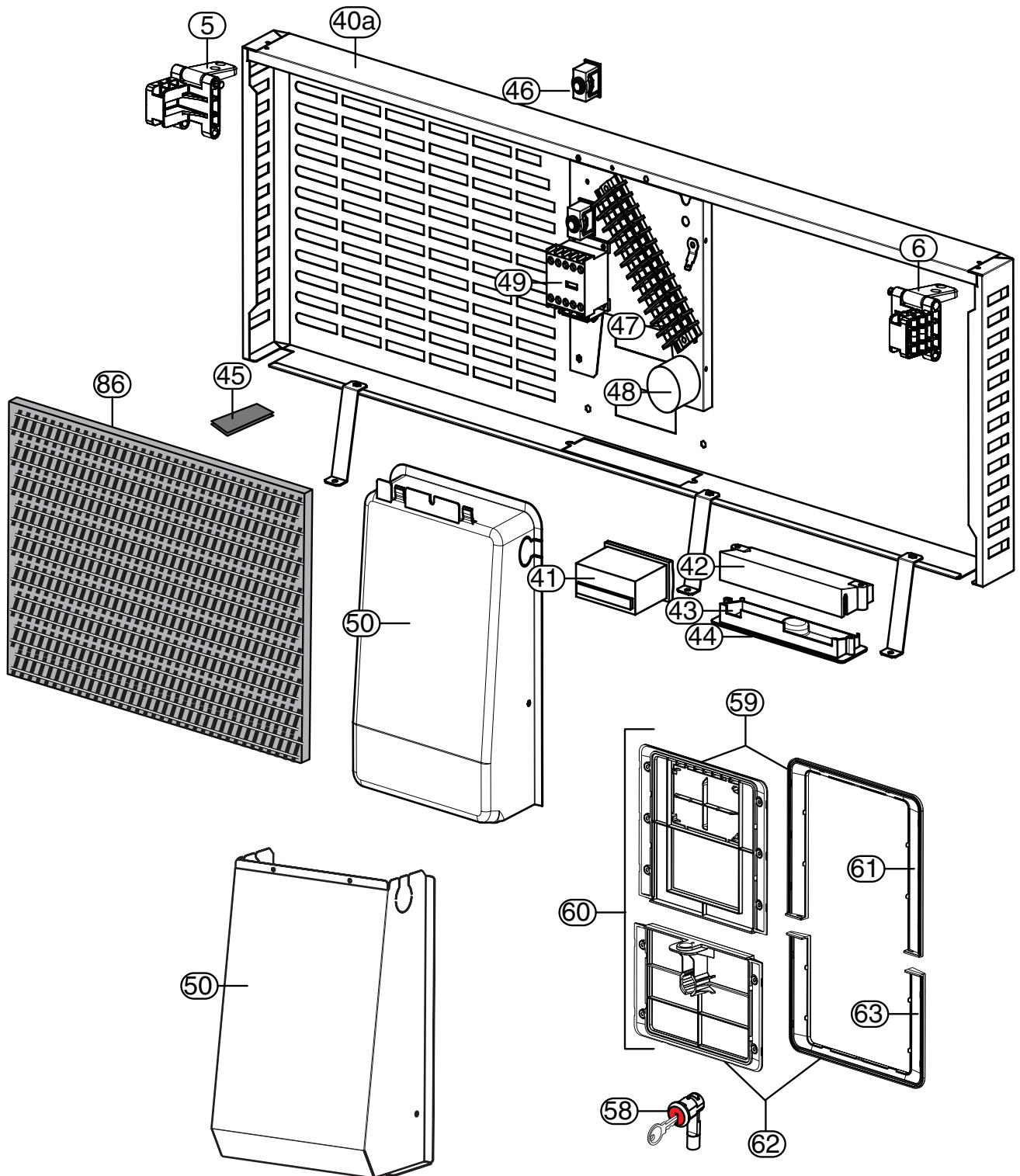


560151 cruscotto

Grassetto = ultima modifica
 Bold = last change

* Componenti a richiesta
 * Components on demand

Marine control panel



560151 cruscotto marine

Grassetto = ultima modifica
 Bold = last change

* Componenti a richiesta
 * Components on demand

From Ser. Nr.3391... / Up to Ser. Nr....

Edition: 10-2013

Page: 7

Update 05/2021

Doc. Nr.: 560151

Pos	Code	Factory code	Descrizione	Description	Ref./Notes
1	094091	832R15000	Cornice orizzontale sup/inf	Upper/lower gasket frame	a,b,c,d,e,f,g,h,i,j,k,m,n,o,p,q,r,s,t,u,v,w,x,y,z,a1,b1,c1
2	094092	832R15100	Cornice dx e sx	Vertical gasket frame right /left	a,b,c,d,e,f,g,h,i,j,k,m,n,r,s,t,u,v,w,x,y,z,a1,b1,c1
2		832R17200	Cornice dx e sx	Vertical gasket frame right /left	o,p,q
3	093602	546R24200	Supporto condensatore	Wiring condenser support	a,c,d,e,f,h,r,s,t,u,x,z
4		501R90001	Copertura frontale	Front cover	a,b,c,d,e,f,g,h,i,j,k,m,r,s,t,u,v,w,x,y,z,a1,b1,c1
5	093609	832R10100	Cerniera cruscotto dx	Right hinge for control panel	a,b,c,d,e,f,g,h,i,m,n,o,p,q,r,s,t,u,v,w,x,y,z,a1,b1,c1
6	093610	832R10200	Cerniera cruscotto sx	Left hinge for control panel	a,b,c,d,e,f,g,h,i,j,k,m,n,o,p,q,r,s,t,u,v,w,x,y,z,a1,b1,c1
7	093243	541R05001	Piedino	Foot	a,b,c,d,f,g,h,i,j,k,m,n,o,p,q,r,s,t,v,w,x,y,z,a1,b1,c1
7a	094098	518R03900	Piedino Marine	Marine foot	e,u,x
8	093245	217555204	Vite 7 X20	Screw 7X20	a,b,c,d,e,f,g,h,i,j,k,m,n,o,p,q,r,s,t,u,v,w,x,y,z,a1,b1,c1
9	092173	646R06700	Sonda cella 1500 mm 6x20	Cell probe 1500mm 6x20	a,b,c,d,e,f,g,h,i,j,k,m,n,o,p,q,r,s,t,u,v,w,x,y,z,a1,b1,c1
10	093371	646R10900	Sonda ambiente 2000 mm 6x20	Ambient probe 2000 mm 6x20	a,c,d,e,f,h,r,s,t,u,x,z
11	094099	501R90902	Cremagliera	Rack support	a,b,c,d,f,g,h,i,j,k,m,n,o,p,q,r,s,t,v,w,y,z,a1,b1,c1
11	094100	501R23801	Cremagliera	Rack support	e,u,x
12	094101	501R91201	Guida sx	Left support	a,b,c,d,f,g,h,i,j,k,m,n,o,p,q,r,s,t,v,w,y,z,a1,b1,c1
12	094102	501R97201	Guida sx	Left support	e,u,x
13	094103	501R91301	Guida dx	Right support	a,b,c,d,f,g,h,i,j,k,m,n,o,p,q,r,s,t,v,w,y,z,a1,b1,c1
13	094104	501R97301	Guida dx	Right support	e,u,x
14	094105	514R14900	Griglia	Shelf	a,b,c,d,e,f,g,h,i,j,k,m,n,o,p,q
14	097003	514R21600	Griglia	Shelf	r,s,t,u,v,w,x,y,z,a1,b1,c1
15	094106	514R15000	Griglia di fondo	Bottom shelf	a,b,c,d,e,f,g,h,i,j,k,m,n,o,p,q,r,s,t,u,v,w,x,y,z,a1,b1,c1
16		546R29800	Supporto gruppo	Cooling support	a,c,d,e,f,h,r,s,t,u,x,z
16a	094108	546R30200	Supporto gruppo per remoto	Cooling support "remote"	b,g,i,j,k,m,n,o,p,q,v,w,y,a1,b1,c1
17	093207	684R05200	Compressore EMT6160Z R404A	Compressor EMT6160Z R404A	a,f,u
17	093457	684R07200	Compressore NEK6160Z 50/60HZ R134a	Compressor NEK6160Z 50/60HZ R134a	e
17	093425	684R05700	Compressore EMT6144U R290	Compressor EMT6144U R290	c,d,h,t
17	095045	684R12200	Compressore EMC3119U R290	Compressor EMC3119U R290	r,s,z

Grassetto = ultima modifica
Bold = last change

* Componenti a richiesta
* Components on demand

Pos	Code	Factory code	Descrizione	Description	Ref./Notes
18	*	*	Electrical box	Electrical box	
19	093346	830R06501	Condensatore a fili	Condenser	a,c,d,e,f,h,r,s,t,u,x,z
20	092360	646R09400	Sonda condensatore NTC	Condenser probe NTC	a,c,d,e,f,h,r,s,t,u,x,z
21	089755	546709500	Griglia supporto ventilatore cond.	Condenser fan protection	a,c,d,e,f,h,r,s,t,u,x,z
22	089697	511708800	Ventola 230 31 condensatore	Condenser Fan 230 31	a,c,d,e,f,h,r,s,t,u,x,z
23		515R23100	Serpentina condensatore	Condenser hot pipe	a,c,d,e,f,h,r,s,t,u,x,z
24	099871	502770300	Protezione fondo serpentina	Bottom protect. conden. hot pipe	a,c,d,e,f,h,r,s,t,u,x,z
25	093334	682R05300	Ventilatore condensatore	Condenser Fan VN 10 20	a,c,d,f,h,t
25	094184	682R07700	Ventilatore condensatore LIONBALL	Condenser Fan LIONBALL	e
25	096482	682R12700	Ventilatore condensatore NIQ3212	Condenser Fan NIQ3212	r,s,z
25	096995	682R14200	Ventilatore condensatore ELCO VNT 11-20	Condenser Fan ELCO VNT 11-20	u,x
26	094172	858R12900	Scambiatore con capillare	Heat exchanger with capillary	a,f,u
26	094189	858R12800	Scambiatore con capillare	Heat exchanger with capillary	c,d,h,r,s,t,z
26		858R13300	Scambiatore con capillare	Heat exchanger with capillary	e
27	084078	805729802	Filtro deidratore gr 40	Dehydrator filter 40 gr	a,c,d,e,f,h,r,s,t,u,x,z
28	0A8171	A02021800	Valvola di ricarica compressore	Schraden Valve	a,c,d,e,f,h,j,k,r,s,t,u,x,z
28	085505	845713000	Valvola di ricarica compressore	Schraden Valve	b,g,i,l,m,n,o,p,q,v,w,y,a1,b1,c1
29	094113	832R16700	Evaporatore 3R	Evaporator 3r	a,c,d,e,f,h,r,s,t,u,x,z
29a	094203	832R17001	Evaporatore per remoto	Evaporator for remote unit	b,g,i,m,o,p,v,w,y,b1
29a	096567	830R10400	Evaporatore per remoto	Evaporator for remote unit	n,q,a1
29a		830R02G00	Evaporatore per remoto CO2	Evaporator for remote unit CO2	j,k
31	093334	682R05300	Ventilatore evaporatore	Evaporator Fan	a,b,c,d,e,f,g,h,i,j,k,m,n,o,p,q
31	093334	682R05300	Ventilatore evaporatore	Evaporator Fan	t up to 2022
31	096231	682R12600	Ventilatore evaporatore	Evaporator Fan	t from 2032 up to 2152 see TB VTX2022_05
31	096231	682R12600	Ventilatore evaporatore	Evaporator Fan	r,s,z up to 2152
31	096995	682R14200	Ventilatore evaporatore	Evaporator Fan	r,s,z,t from 2162 up to 2493
31	096231	682R12600	Ventilatore evaporatore	Evaporator Fan	r,s,z from 2503
31	096995	682R14200	Ventilatore evaporatore	Evaporator Fan	u,v,w,x,y,a1,b1
32	089770	546709600	Protezione ventola evaporatore	Evaporator fan protection	a,b,c,d,f,g,h,i,j,k,m,n,q,r,s,t,v,w,y,z,a1,c1
33	093783	511R01200	Ventola 200X28	Fan 200x28	a,b,c,d,e,f,g,h,i,j,k,m,n,o,p,q,r,s,t,u,v,w,x,y,z,a1,b1,c1
34	094116	856R21800	Ass.resistenza evaporatore 450w	Heating element 450w	b,g,i,j,k,m,q,v,w,y,a1,b1,c1
35	094118	514R15100	Molla per resistenza evaporatore	Spring for heating element	b,g,i,j,k,m,q,v,w,y,a1,b1,c1
*	093487	514R11601	Molla per fissaggio termostati	Spring for thermostat	b,g,i,j,k,m,q,v,w,y,a1,b1,c1
36	094119	546R30100	Tamponcino uscita tubi	Gasket pipe	a,b,c,d,e,f,g,h,i,j,k,m,q,r,s,t,u,v,w,x,y,z,a1,c1
38	089613	569701800	Guarnizione campana	Gasket cover	a,b,c,d,e,f,g,h,i,j,k,m,n,o,p,q,r,s,t,u,v,w,x,y,z,a1,b1,c1

Grassetto = ultima modifica
Bold = last change

* Componenti a richiesta
* Components on demand

Pos	Code	Factory code	Descrizione	Description	Ref./Notes
39	090079	877718902	Campana	Cover	a,b,c,d,e,f,g,h,i,j,k,m,n,o,p,q,r,s,t,u,v,w,x,y,z,a1,b1,c1
40	094123	880R92204	Modulo pannello comandi completo	Complete control panel	a,b,c,d,e,f,g,h,i,j,k,m,n,o,p,q,
40	097039	883R46900	Modulo pannello comandi completo	Complete control panel	r,s,t,v,w,y,z,a1,b1,c1
40		883R99700	Modulo pannello comandi completo	Complete control panel UK plug	
40a		881R00605	Modulo pannello comandi completo	Complete control panel marine	e
40a		883R47300	Modulo pannello comandi completo	Complete control panel marine	u,x
41	093437	646R10602	Termoregolatore Ir 33	Digital control iR33	a,b,c,d,e,f,g,h,i,j,k,m,n,o,p,q,r,s,t,u,v,w,x,y,z,a1,b1,c1
42	093387	546R19600	Coperchio supporto scheda led	Cover led light	a,b,c,d,e,f,g,h,i,j,k,m,n,o,p,r,s,t,u,v,w,x,y,z,a1,b1,c1
43	093810	855R12701	Assieme scheda led	Led light	a,b,c,d,e,f,g,h,i,j,k,m,n,o,p,q,r,s,t,u,v,w,x,y,z,a1,b1,c1
44	093390	569R05900	Guarnizione supporto scheda led	Led gasket	a,b,c,d,e,f,g,h,i,j,k,m,n,o,p,q,r,s,t,u,v,w,x,y,z,a1,b1,c1
45	093269	541R05401	Tappo fori cerniere	Plug for hinge	a,b,c,d,e,f,g,h,i,j,k,m,n,o,p,q,r,s,t,u,v,w,x,y,z,a1,b1,c1
46	094127	639R00500	Ferma cavo	Wiring stopper	e,u,x
47	093528	639R09900	Morsettiera	Clamp	a,b,c,d,e,f,g,h,i,j,k,m,n,o,p,q,r,s,t,u,v,w,x,y,z,a1,b1,c1
48	096636	694R00502	Filtro antidisturbo	Electrical filter	a,b,c,d,e,f,g,h,i,j,k,m,n,o,p,q,r,s,t,u,v,w,x,y,z,a1,b1,c1
50	095867	546R30801	Copertura termoregolatore	Back protection for control panel	a,b,c,d,e,f,g,h,i,j,k,m,n,o,p,q,t
50	097016	504R26100	Copertura termoregolatore	Back protection for control panel	r,s,u,v,w,x,y,z,a1,b1,c1
51	094240	880R93305	Porta completa con cerniere	Door complete with hinge	a,b,d,e,f,g,h,i,j,k,m,n,q,r,s,u,v,w,x,y,z,a1,b1,c1
52	094391	875R24503	Porta con guarnizione	Door with gasket	a,b,d,e,f,g,h,i,j,k,m,n,q,r,s,u,v,w,x,y,z,a1,b1,c1
53	094155	548R08600	Guarnizione porta	Door gasket	a,b,d,e,f,g,h,i,j,k,m,n,q,r,s,u,v,w,x,y,z,a1,b1,c1
54	082219	835704001	Cerniera superiore	Upper hinge door	a,b,c,d,e,f,g,h,i,j,k,m,n,o,p,q,r,s,t,u,v,w,x,y,z,a1,b1,c1
55	094131	505R15802	Staffa superiore	Upper braket door	a,b,c,d,e,f,g,h,i,j,k,m,n,o,p,q,r,s,t,u,v,w,x,y,z,a1,b1
56	093271	541R05301	Tappo foro cerniera	Plug door	a,b,c,d,e,f,g,h,i,j,k,m,n,o,p,q,r,s,t,u,v,w,x,y,z,a1,b1,c1
57	087792	800732701	Staffa inferiore	Lower braket door	a,b,d,e,f,g,h,i,j,k,m,n,q,r,s,u,v,w,x,y,z,a1,b1,c1
58	093345	833R20900	Serratura porta	Lock	a,b,c,d,e,f,g,h,i,j,k,m,o,p,q,r,s,t,u,v,w,x,y,z,a1,b1,c1

Grassetto = ultima modifica
 Bold = last change

* Componenti a richiesta
 * Components on demand

Pos	Code	Factory code	Descrizione	Description	Ref./Notes
59		855R10801	Ass. mascherina cruscotto elux	Template control panel elux	a,b,c,d,e,i,j,k,m,n,o,p,q,r,s,t,u,v,w,x,a1,b1,c1
59		855R10100	Ass. mascherina cruscotto apx	Template control panel apx	f,g,h,y,z
60		855R10501	Ass.masch., porta e crusc. elux	Templete door and cont. pan. elux	a,b,c,d,e,i,j,k,m,n,o,p,q,r,s,t,u,v,w,x,a1,b1,c1
60		855R10700	Ass.masch., porta e crusc. apx	Templete door and cont. pan. apx	f,g,h,y,z
61		546R20000	Cornice cromata cruscotto elux	Crome frame template control p.	a,b,c,d,e,i,j,k,m,n,o,p,q,r,s,t,u,v,w,x,a1,b1,c1
61		546R20100	Cornice cromata cruscotto apx	Crome frame template control p.	f,g,h,y,z
63		546R20200	Cornice cromata porta elux	Crome frame template door elux	a,b,c,d,i,j,k,m,n,o,p,q,r,s,t,v,w,a1,b1,c1
63		546R20300	Cornice cromata porta apx	Crome frame template door apx	f,g,h,y,z
64	094132	833R27201	Pedale apertura porta Sx	Door pedal (left)	
64	094133	833R27101	Pedale apertura porta Dx	Door pedal (right)	
65		880R97503	Modulo Traversa	Half doors support	c,o,p,t
66	094138	832R15500	Cornice traversa	Half doors frame support	c,o,p,t
67	094139	501R96401	Cremagliera anteriore superiore	Front rack upper support	c,o,p,t
68	094140	501R96501	Cremagliera anteriore inferiore	Front rack lower support	c,o,p,t
69	094141	835R36505	Ass. porta superiore con guarniz.	Upper door with gasket	c,o,p,t
70	094158	548R09000	Guarnizione mezza porta	Half door gasket	c,o,p,t
71	094142	835R36604	Ass. porta superiore con guarnizi.	Upper door with gasket	c,o,p,t
72	093392	546R21100	Boccole per cerniera	Bush for half door	c,o,p,t
73	093713	505R14200	Staffa inferiore	Lower bracket	c,o,p,t
74	093344	505R12400	Staffa centrale	Central bracket	c,o,p,t
75	093433	833R21100	Serratura mezze porte	Lock half doors	c,o,p,t
76	091483	502774400	Protezione fondo	Bottom protection	
77	091711	502773300	Distanziale posteriore	Back spacer	b,g,i,j,k,m,n,o,p,q,v,w,y,a1,b1,c1
78	091712	502773200	Distanziale anteriore	Front spacer	b,g,i,j,k,m,n,o,p,q,v,w,y,a1,b1,c1
79	099378	514744603	Griglia per resistenza	Protection heating element	b,g,i,j,k,m,n,o,p,q,v,w,y,a1,b1,c1
80	094143	617R09800	Resistenza di evaporazione 100W	Evaporation heating elem. 100W	b,g,i,j,k,m,n,o,p,q,v,w,y,a1,b1,c1
81	087333	646740901	Valvola termostatica R134A - 68U2487	Thermostach valve R134A - 68U2487	b,g,v,w,y
81	088501	646751900	Valvola termostatica R404A - 68U2076	Thermostach valve R404A - 68U2076	i,o,p,c1
81	095674	646R16000	Valvola termostatica R407C - 68U1901	Thermostach valve R407C - 68U1901	l,m,b1
81*	089614	565717600	Isolante per valvola termostatica	Thermostach valve insulation	b,g,i,m,n,o,p,q,v,w,y,a1,b1,c1
82	090229	525719000	Filtro meccanico	Mechanical filter	b,g,i,m,n,o,p,q,v,w,y,a1,b1,c1
83	090230	646742400	Elettrovalvola	Solenoid valve	b,g,i,m,n,o,p,q
83	094435	646R10502	Elettrovalvola	Solenoid valve	v,w,y,a1,b1,c1
84	088351	646749000	Bobina per valvola	Coil	b,g,i,j,k,m,n,o,p,q part of 090230
84	0S2693		Bobina per valvola	Coil	v,w,y,a1,b1,c1 part of 094435
85	081654	544700601	Boccola per cerniera	Bush for hinge	
86	094144	546R30001	Filtro cruscotto	Filter for control panel	
91	097049	555R12200	Compensazione gruppo	Cooling unit thermal insulation	r,s,t,z
92	097050	555R12300	Compensazione carter	Carter thermal insulation	r,s,t,z

Grassetto = ultima modifica
Bold = last change

* Componenti a richiesta
* Components on demand